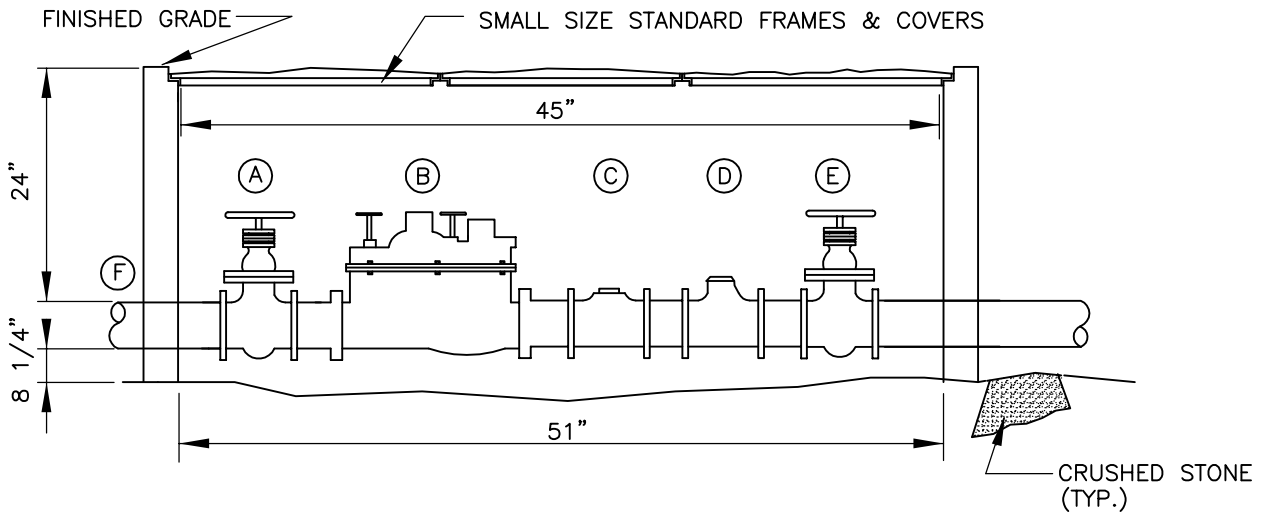


TOP VIEW

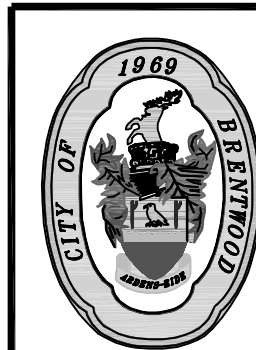


ELEVATION

NOTE: CARSON INDUSTRIES BOX
ACCEPTABLE IN NON-PAVED AREAS.

- A. 2" or 3" VALVE DOUBLE GATE IRON BODY, OPEN TO LEFT
MEULER, M & H OR CLOW VALVES
- B. 2" or 3" METER WITH FLANGE CONNECTION - SENSUS TOUCHREAD
- C. 2" or 3" TEST TEE OF MALLABLE IRON W/3" BRASS TEST PLUG
- D. 2" or 3" BRASS CHECK VALVE AS PER LOCAL GOVT. SPECS.
- E. SAME AS "A"
- F. 2" or 3" CAST IRON OR COPPER PIPE

NOTE: SHORT SHOULDER NIPPLES TO BE WROUGHT IRON OR EXTRA HEAVY STEEL. ALL FITTINGS TO BE STANDARD MALLABLE IRON.



CITY OF BRENTWOOD
WATER SERVICES
STANDARD DETAIL

2" or 3" WATER
METER ASSEMBLY

APRIL, 2007

DRAWING NO. W8