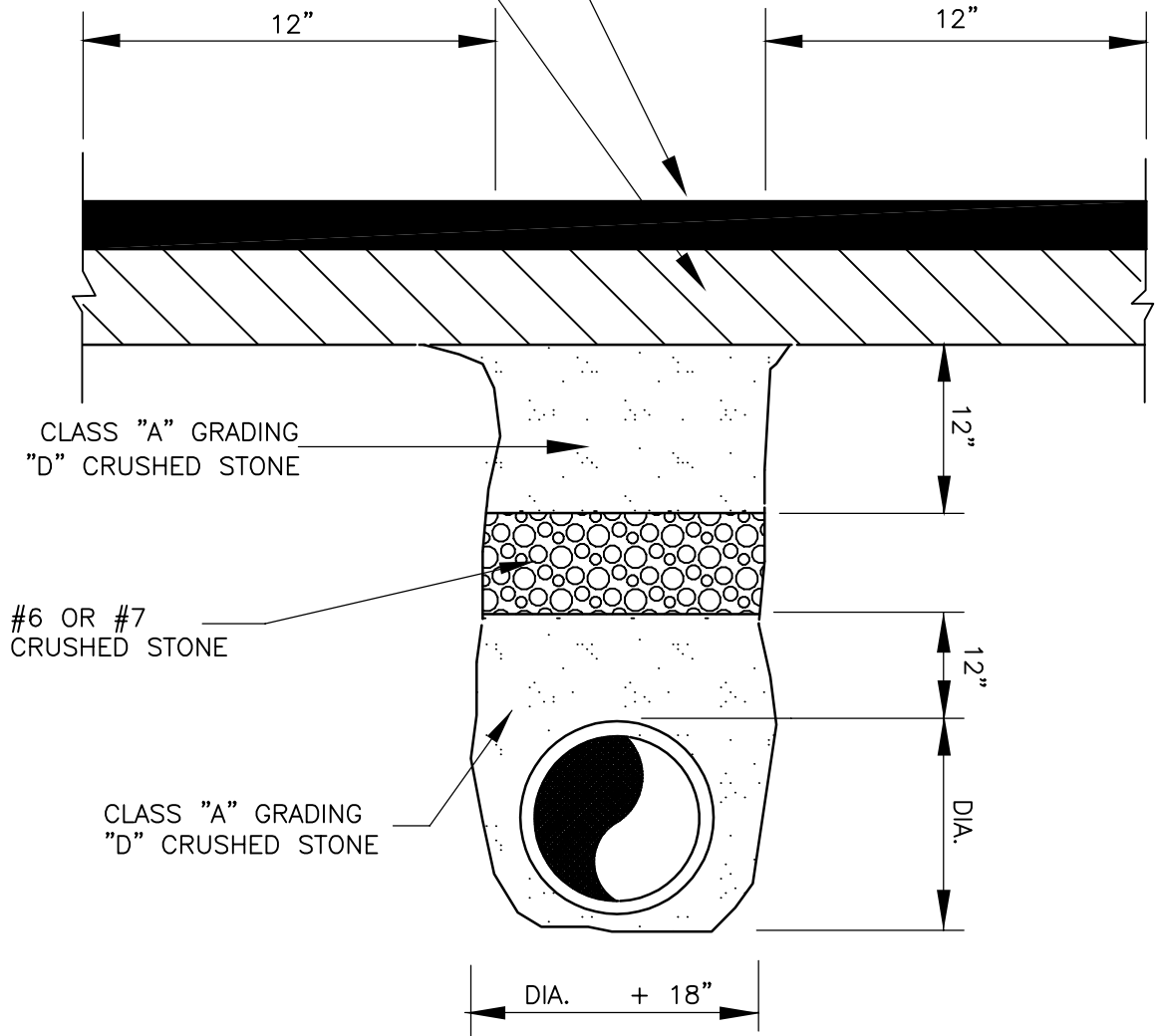


4" BITUMINOUS B, MODIFIED
PLANT MIX BASE
T.D.O.T. SECTION 307

2" ASPHALTIC CONC. SURFACE
T.D.O.T. SECTION 411 GRADING E



TRENCH WIDTH



CITY OF BRENTWOOD
WATER SERVICES
STANDARD DETAIL

STREET REPLACEMENT
TRENCH WIDTH

APRIL, 2007

DRAWING NO. G1